



SUPER CAPACITY FRY TYPE EXTRUDER

Largest Capacity in the World

600 kg/hr (1325 lbs/hr)
of unfried collets*



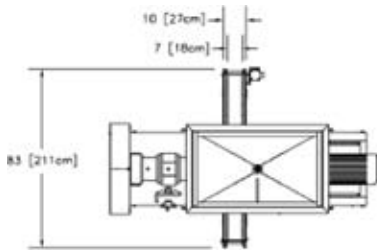
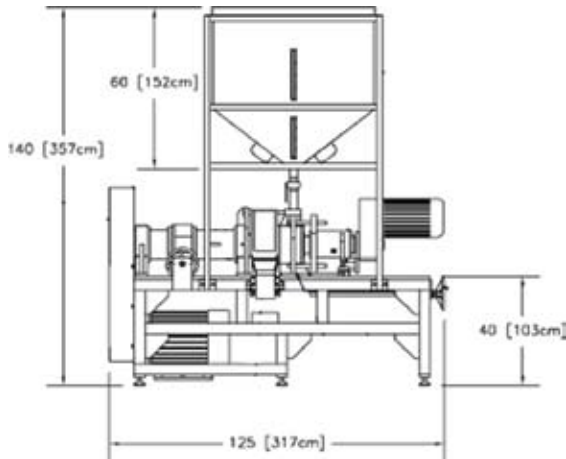
The originators and innovators of extrusion technology since 1933 is proud to introduce the largest capacity rotary head extruder in the world. The SCF-1325 Extruder forms the highest quality extruded collets from corn, rice, lentils peas and potato.

* when using US corn meal

AMERICAN EXTRUSION INTERNATIONAL

498 Prairie Hill Road ■ South Beloit ■ Illinois ■ 61080 ■ USA ■ Tel (815) 624-6616 ■ Fax (815)624-6628 ■ www.americanextrusion.com

FRY TYPE EXTRUDER



Our time proven, easy to operate design is rugged and exceeds the durability required for constant operation. Designed efficiently so that additional electrical heating is not required. Meets target bulk density parameters on corn meal (3.75 to 4.75 cu. ft. or 60 g/l to 76 g/l of raw corn meal before frying).

American Extrusion has extruders operating successfully in over 110 countries throughout the world.

Available Options:

- Patented Automatic Head Gap Adjustment maintains desired quality specifications.
- Integrated Vapor Extraction Hood connects to optional exhaust system.
- Exhaust Fan
- Patented PLC Control System provides automatic start-up and shut down and maintains desired specifications.

