



BREAD/CROUTON CUTTER

Another new innovation from American Extrusion



The new Bread/Crouton Cutter works with the Advantage 50 Extruder to make a variety of extruded bread products such as, croutons, and bread sticks. Formulas are made with almost 100% wheat flour to give your market a new healthy snack.

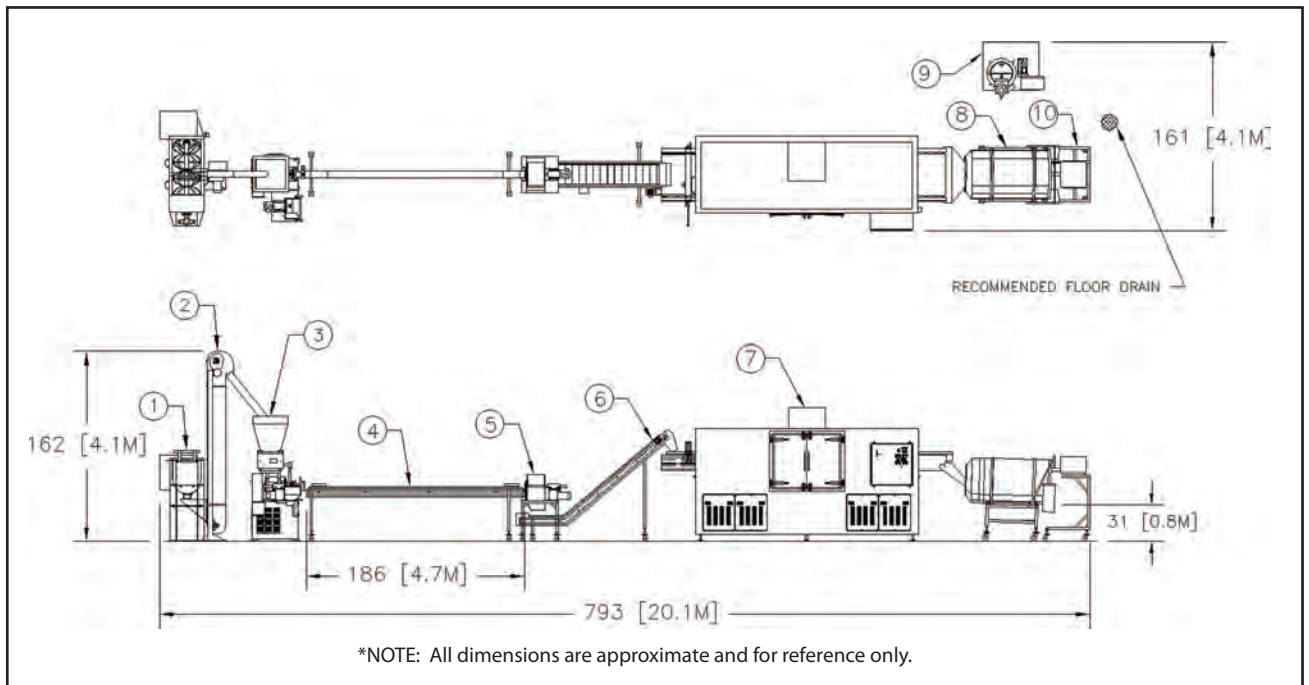
AMERICAN EXTRUSION INTERNATIONAL

498 Prairie Hill Road ■ South Beloit ■ Illinois ■ 61080 ■ USA ■ Tel (815) 624-6616 ■ Fax (815)624-6628 ■ www.americanextrusion.com

Bread/Crouton Cutter

Construction

- Stainless Steel Tubular Construction
- Electroless Nickel Plated Table
- Knife unit is mounted to swivel plate
- Guide Tube
- All drives are AC Inverter Controlled
- Control Cabinet in Nema 4X Rated
- Mounted on casters



1. 18 Cu. Ft. Ribbon Blender
2. 13' AEI S.S. Bucket Elevator
3. Advantage 50 with Live Bottom Hopper
4. 15' x 6" Conveyor
5. Bread/Crouton Cutter
6. 13' x 14" Horizontal Incline Conveyor
7. Model 1000 Series Oven
8. 6' x 36" Continuous Coating Tumbler
9. Single 40 Gallon Melting Tanks
10. Dry Seasoner

